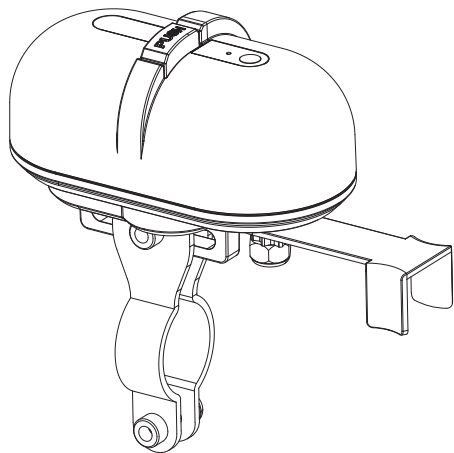


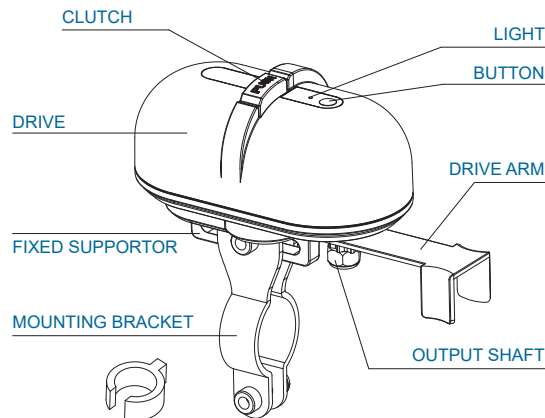
Intelligent gas valve controller



Product manual

Please read the instruction carefully before using.

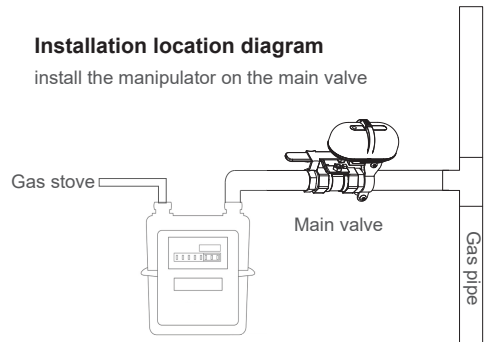
Product overview



1 inch RUBBER RING(OPTION)

Installation location diagram

install the manipulator on the main valve



Introduction

The product is a kind of smart control of valve. It is usually used in gas/water valve by manual operation or automatic control.

It could match with any gas alarm or flood alarm. When it test the gas or water, alarm will send out the signal to close the valve.

The controller could install on household gas pipe or garden water pipe.

Meanwhile it could match with other gas valve or liquid valve, and to realize the intelligent control.

This controller could connect with any smart home system, and realize intelligent link.

Please refer to the instruction for installation.

Feature

- Driving with DC12, support with DC12V adaptor
- suitable for a variety of pipe sizes, such as 1 inch, 1.25 inch.
- Front-press clutch button. It is more convenient for reset.
- Suitable for all kinds of valves, even butterfly valve.
- Linked with different kinds of smart system. Please refer to the manual of code copy.

Technical specification

Temperature: -10-65

Humidity: <95%

Supply voltage: 12V/1A

Valve pressure: .6MPa

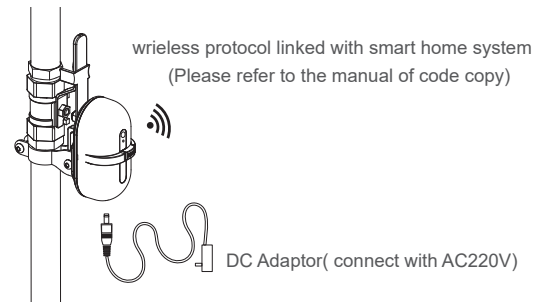
Torque: 30-60kg.cm

Closing time: 5-10s

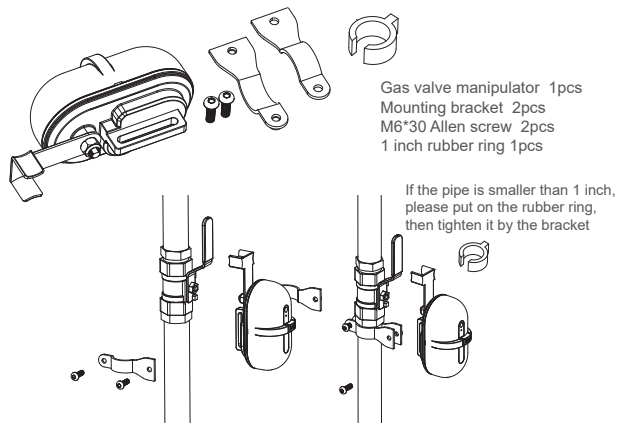
Opening time: 5-10s

Valve specifications: 1 inch, 1.25 inch.

Applicaton: spanner valve, butterfly valve



Installation guide



Gas valve manipulator 1pcs
Mounting bracket 2pcs
M6*30 Allen screw 2pcs
1 inch rubber ring 1pcs

If the pipe is smaller than 1 inch,
please put on the rubber ring,
then tighten it by the bracket

1. Find out the main gas valve, leave an adequate space for installation.

2. Fixing the bracket with Allen screw.
(Not tight)

Adjusting the position .
Make the controller and
the gas valve on the same line.


3. Put the valve controller on the gas valve and adjust. The drive arm should clamp the valve closely.

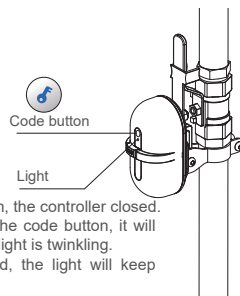
4. Tighten the Allen screws.

Operaton guide

Manual control

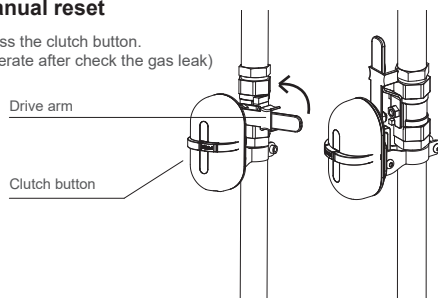
Connecting the power,
press the code button.

Short press the  code button, the controller closed.
After fully closed ,short press the code button, it will open. During the operation,the light is twinkling.
When the operation is finished, the light will keep shining.



Manual reset

Press the clutch button.
(operate after check the gas leak)



Alarm guide

1. When the alarm found the gas leak, it will sound an alarm . At the same time, the controller will close the valve. Completely cut off the gas supply.

2. If there is a power outage or malfunction,press the clutch button, in the meanwhile manually pull the drive arm. Then the main gas valve is closed.

Application guide

1. When the system is under operation, due to recondition, power off testing ,customer could press the clutch button to close or open .

2. Regularly checking the alarm,controller and the drive arm. Steps as below: Press the code button, the drive arm will move once. Press again, restore initial state. Repeat these steps few time, in order to prevent lthe block caused by long time no operation . Or press the auto button on the alarm, the controller will start self-check.

Malfunction check

1. When alarm or controller in abnormal operation,please check the wire,connect,supply power. And Try to maintain as soon as possible.

2. If the drive arm is locked, please press the clutch button to restart. If the operation is useless, please try to contact the local supplier or gas company at once.

After sale

1. Where the intelligent products sold by our company,due to the quality problems,customer can enjoy free replacement in 3 month,1 year free maintenance, 5 years paid maintenance.

2. If the problem is due to the improper installation,violation operation, our company will provide paid maintenance.

3. If the problem is due to the abnormal voltage,abnormal temperature,soaking in the water,burn or other force majeure, our company will provide paid maintenance.

4. Man-made disassemble, violent damage is not included in the after sale service. We can not provide any maintenance.

Warranty Card

Product Model _____

Serial Number _____

Purchase Date _____

Customer Name _____

Customer Tel _____

Customer Email _____

Warranty:

1. Within one year from the date of selling, the product is malfunctioning under normal due to non-artificial reasons.
2. The malfunction of product is not cause by artificial reasons such as unauthorized disassemble or conversion or addition.
3. The buyer is able to provide the certificate of maintenance service: the warranty card, the legitimate receipts, invoices, or screenshot of purchasing.

The following cases are not included under the warranty:

1. Unable to provide legitimate receipt and warranty card with buyer's info.
 2. The damage caused by human or irresistible factor.
- * Our company reserves the right of final interpretation on the above-mentioned after sales terms and limitaions.

QUALIFIED CERTIFICATE

Checker _____
Production Date _____

