

# SONOFF SwitchMan Zigbee Smart Wall Switch (Supports both No Neutral and Neutral Wire)

---

[Product Preview Manual \(VIP version\)](#)

[Product Model Introduction](#)

[Notes before Using](#)

[Available Platforms](#)

[User Manual](#)

[Introduction](#)

[Compatible Voice Assistants](#)

[Specification](#)

[Installation](#)

[1. Power off](#)

[2. Wiring instruction](#)

[3. Power on](#)

[Download the eWeLink App & Add SONOFF Zigbee gateway.](#)

[Scan QR code to add the device](#)

[Factory Reset](#)

[Switching Wiring Modes](#)

[Ending](#)

## Product Preview Manual (VIP version)

Hi!

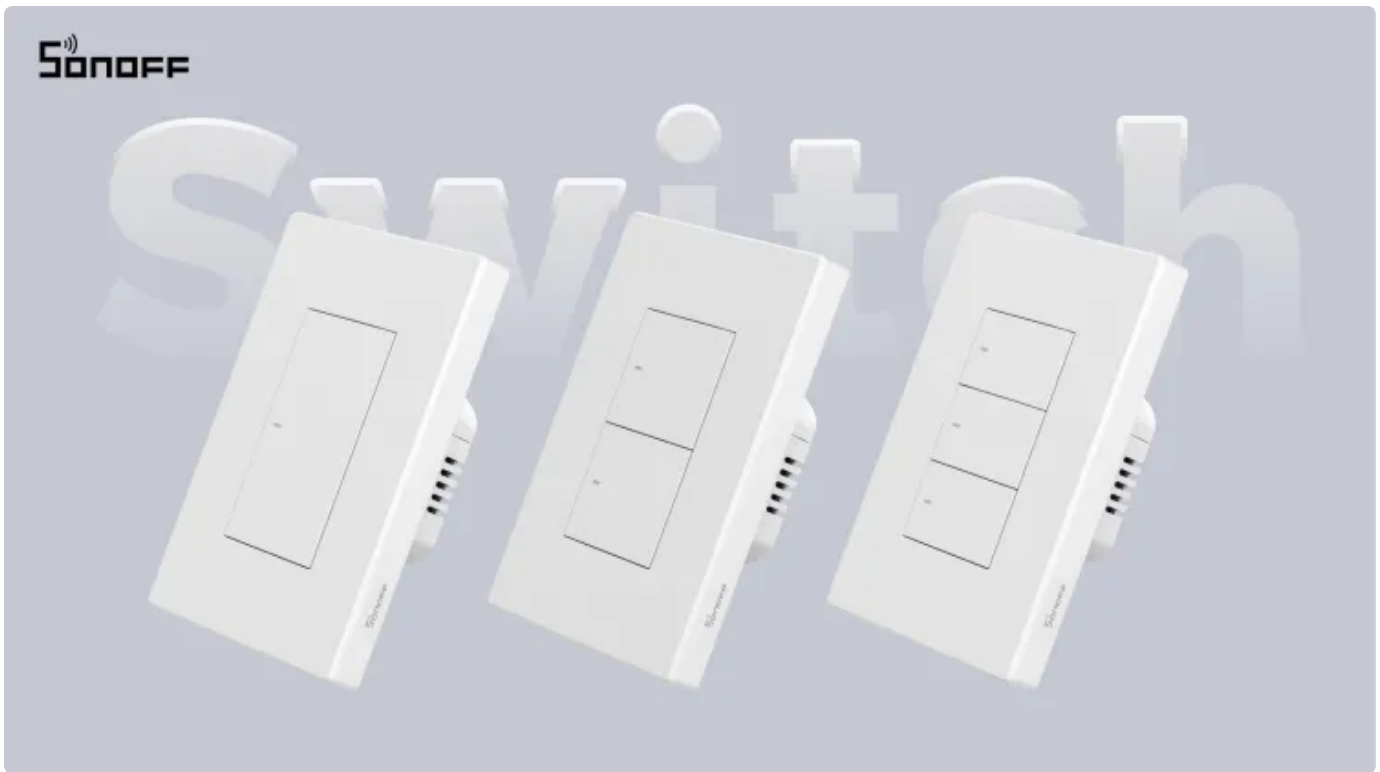
We are glad to have you participate in our new product review! Your unique perspective and professional feedback are invaluable to us. The following sections will provide detailed information on usage precautions, platform support, and the product manual. We hope this new product will excite both you and your audiences. Once again, thank you for your support and collaboration!

Enjoy using the product!

## Product Model Introduction

This is a **Zigbee** wall switch **support with both No Neutral and Neutral wire**. Currently available in white with a standard 120-type design, it offers one, two, or three channels for selection.

\*The ZBM5 appearance is similar to the white version of the M5 Matter switch.



## Notes before Using

ZBM5 can be configured based on your home wiring setup, supporting two modes:

- No neutral required mode
- Neutral required mode

### No neutral required mode

The device operates as a Zigbee end device.

Minimum Load Requirement: The external load must meet a minimum power requirement of 3W.

Limitations:

Does not support smart lights, including but not limited to dimmable, color-changing, gradient, or controller-equipped lights and LED strips.

### Neutral required mode

The device operates as a Zigbee router, enhancing the robustness and coverage of your Zigbee network.

Supports smart lights and can be used with the "Relay Separation" feature in the eWeLink app.

## Available Platforms

### 1. eWeLink APP

eWeLink APP	Android	V5.11.0
	iOS	V5.11.0

### 2. SONOFF Zigbee Gateway

As a Zigbee device, this switch requires a Zigbee gateway. We recommend using it with the following gateways:

- ZBBridge-P (V2.2.0),

\*Please upgrade the gateway firmware to the latest version before adding a device.

Additionally, other gateways will support this device with their respective version updates in December:

- ZBBridge-U (V1.6.0),
- NSPanel Pro (V3.7.0),
- iHost (V2.5.0)

Other compatible SONOFF gateway models: ZBDongel-P, ZBDongel-E.

### 3. Third-Party Platforms

#### Voice Platform (Alexa & Google Home)

Amazon currently does not support Zigbee multi-channel switch devices directly. Therefore, we recommend syncing the device to Alexa or Google Home through the eWeLink app by linking account.

Voice control functionality is expected to be available by December.

#### Home Assistant

Compatible with Home Assistant using the ZBDongle via ZHA or Zigbee2MQTT integration.

## User Manual

### Introduction



Remote Control



Single/Countdown  
Timing



Share Control



Neutral Wire Optional



Smart Scene



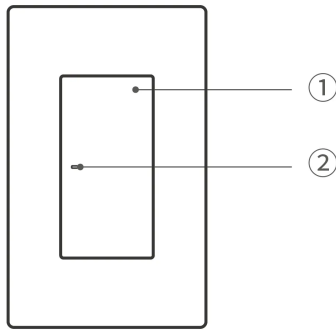
Voice Control



Group Control



Power-on State



### ① Button

- Single press: Turn on/off the smart device.
- Press and hold for 5 seconds: Device enters the pairing mode. (Pairing time 180s)

### ② LED indicator (Blue)

- Slow flash: Device is in pairing mode
- Fast flash: Zigbee connection abnormality

## Compatible Voice Assistants



## Specification

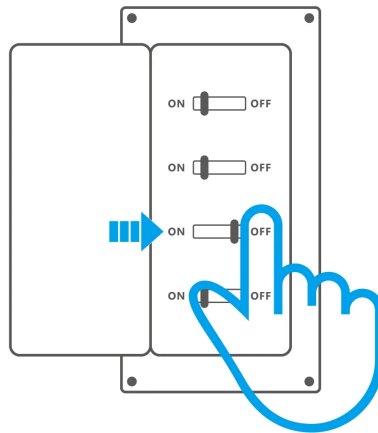
Model	ZBM5-1C-120W, M5-2C-120W, M5-3C-120W
MCU	EFR32MG22
Rating	1C: 100-240V~ 50/60Hz 10A Max Resistive load $\odot$ $\mu$ 2C: 100-240V~ 50/60Hz 10A/gang, Total 10A Max Resistive load $\odot$ $\mu$ 3C: 100-240V~ 50/60Hz 10A/gang, Total 10A Max Resistive load $\odot$ $\mu$
LED load	1C: 400W@240V, 200W@100V 2C: 400W@240V/gang, 200W@100V/gang, Total 400W@240V, 200W@100V 3C: 400W@240V/gang, 200W@100V/gang, Total 400W@240V, 200W@100V
Minimum load	3W (No neutral required mode)
Wireless Connectivity	Zigbee 3.0
Net Weight	1C: 176g, 2C: 184g 3C:193g
Dimension	120x74x39.4mm

Color	White
Casing Material	PC+CRS
Applicable Place	Indoor
Working Temperature	10T40 (-10°C~40°C)
Working Humidity	5%~95% RH, non-condensing
Certification	CE/FCC/RoHS
Executive standard	EN IEC 60669-2-1

⚠ This product is only suitable for safe use at altitudes below 2000m.

## Installation

### 1. Power off



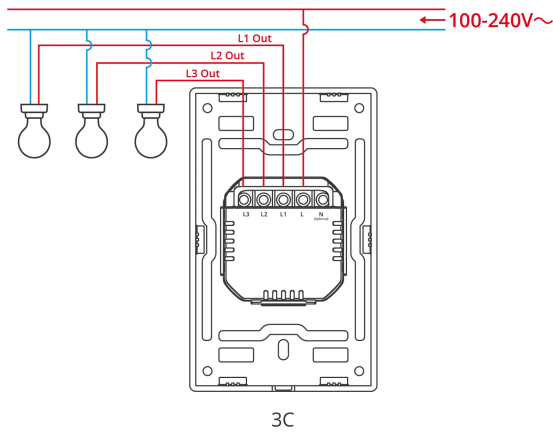
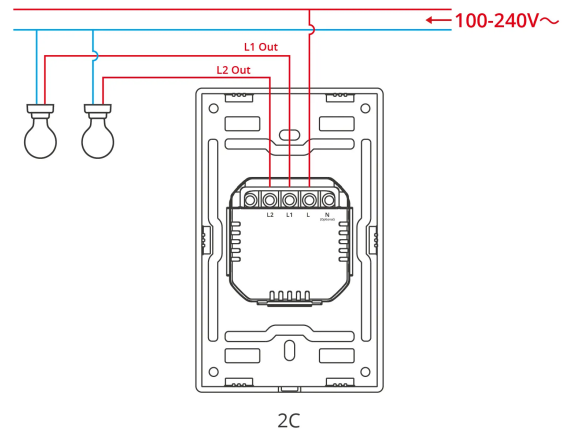
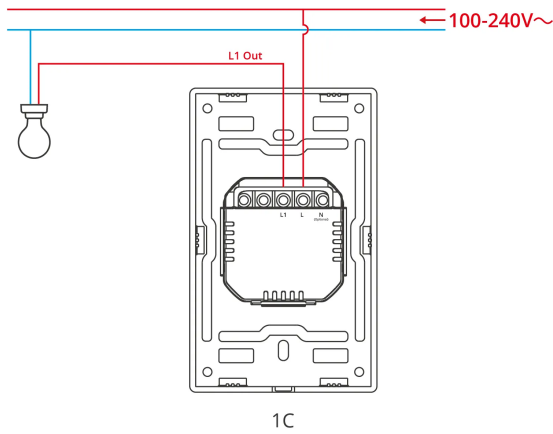
### WARNING

Please install and maintain the device by a professional electrician. To avoid electric shock hazard, do not operate any connection or contact the terminal connector while the device is powered on!

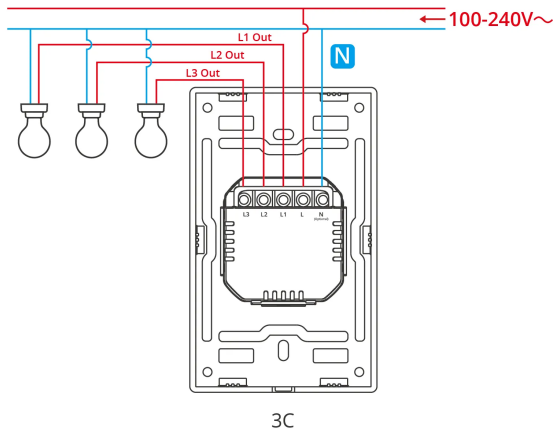
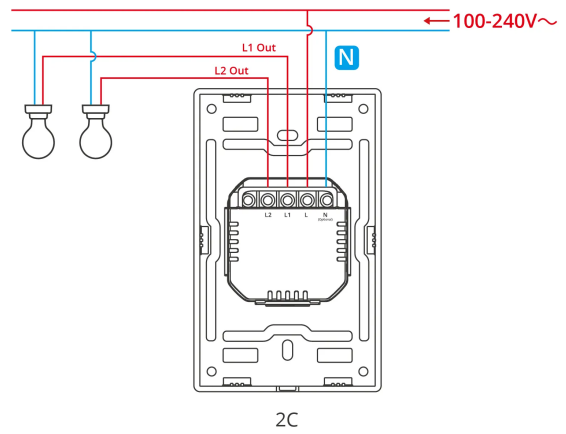
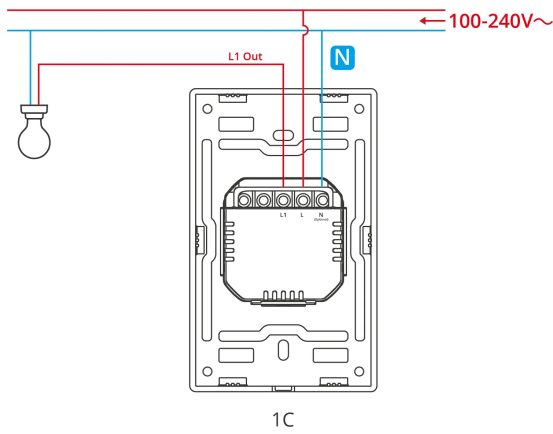
### 2. Wiring instruction

⚠ To ensure the safety of your electrical installation, it's essential either a Miniature Circuit Breaker (MCB) or a Residual Current operated Circuit-breaker with Integral Overcurrent protection(RCBO) with an electrical rating of 10A has been installed before the ZBM5-1C-120W, ZBM5-2C-120W, ZBM5-3C-120W.

**No neutral required mode wiring:**



**Neutral required mode wiring:**



- ⚠ Choose no neutral required mode or neutral required mode according to your home's wiring.
- ⚠ In no neutral required mode: the minimum supported load is 3W, and this device does not support other types of inductive loads such as fans.
- ⚠ Make sure all wires are connected correctly.

## Instructions for wiring symbols

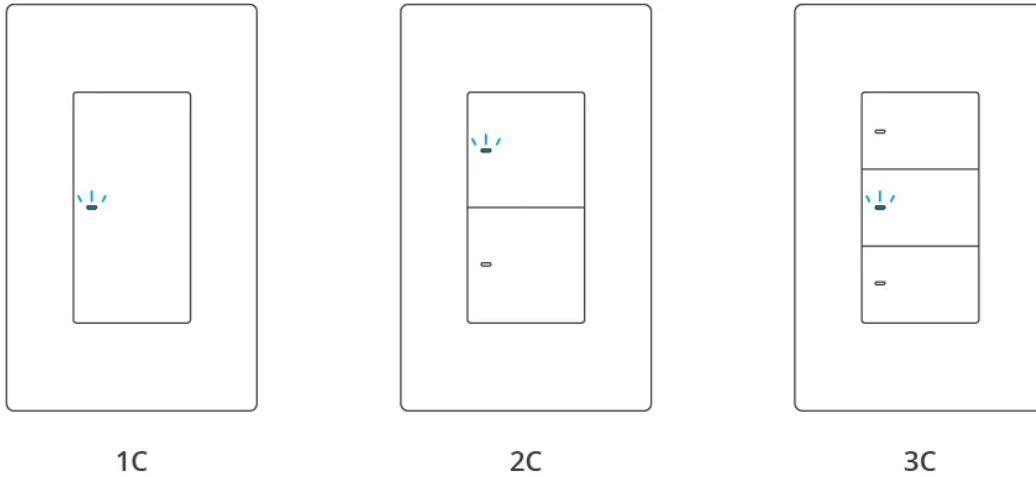
Terminals		Wires	
N (Optional)	Neutral Line	N	Neutral Line
L	Live Line	L	Live Line (100~240V)
L out1	Live Output Terminal__1(100~240V)		
L out2	Live Output Terminal__2(100~240V)		
L out3	Live Output Terminal__3(100~240V)		



### 3. Power on

After powering on, the device will enter the pairing mode defaulted during the first use and the LED signal indicator will “flash slowly”.

ⓘ The device takes 10 seconds to initialize and operate normally after the first power-on.



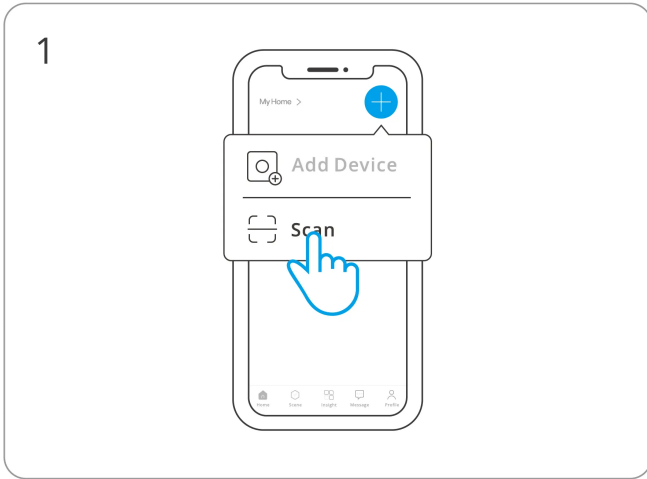
ⓘ The device will exit the pairing mode if you do not operate it within 3mins. When you want to enter the pairing mode again, long press the any button on the device for 5 seconds until the signal light “flashes slowly” and release.

## Download the eWeLink App & Add SONOFF Zigbee gateway.

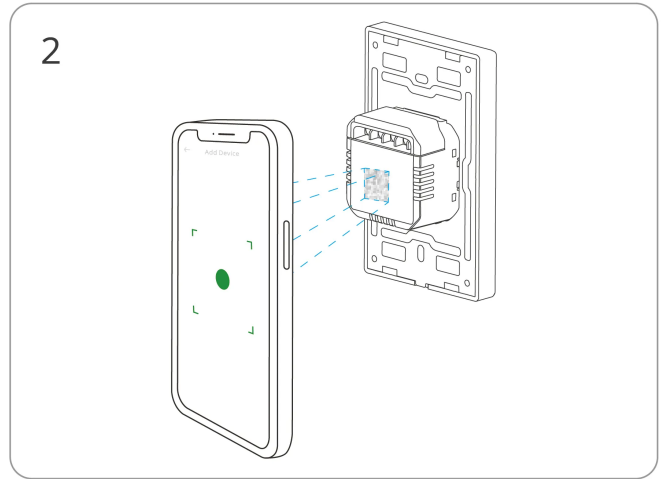
Please download the "eWeLink" App from [Google Play Store](#) or [Apple App Store](#).



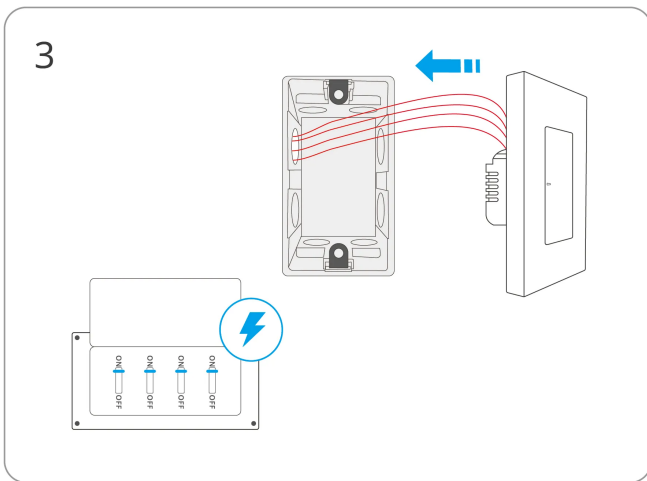
Scan QR code to add the device



Enter "Scan"

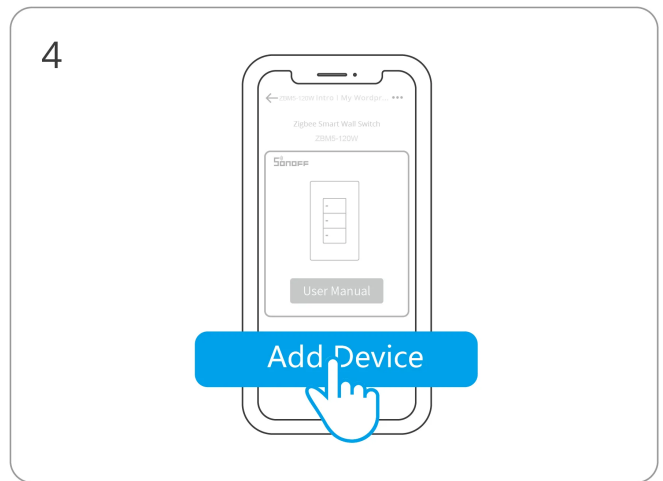


Scan the QR code on the device

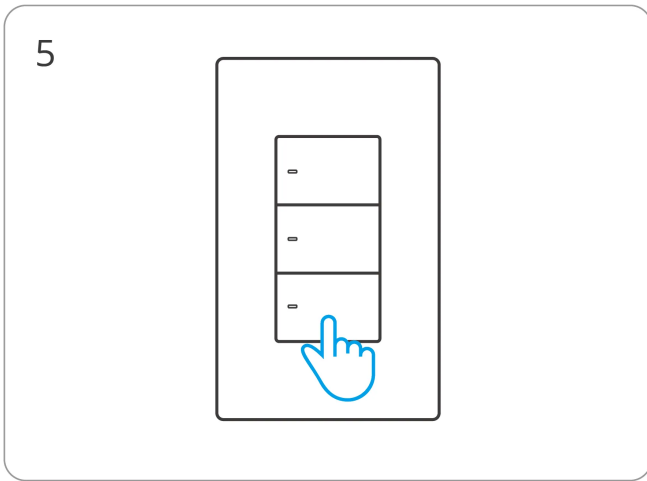


Please follow the wiring instructions to connect the wires.

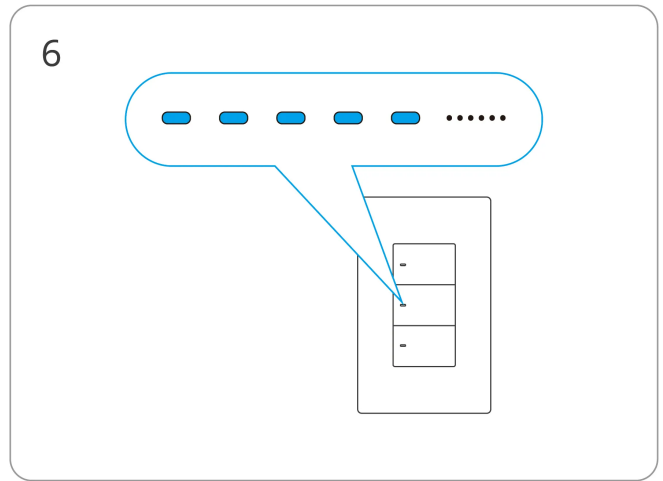
(The device takes 10 seconds to initialize and operate normally after the first power-on.)



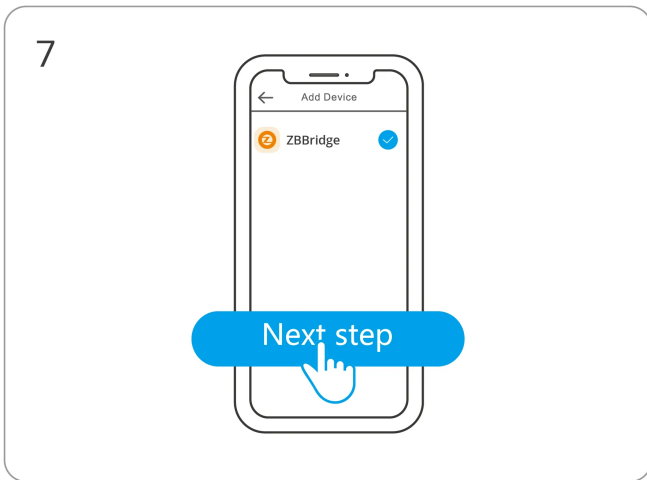
Select "Add Device"



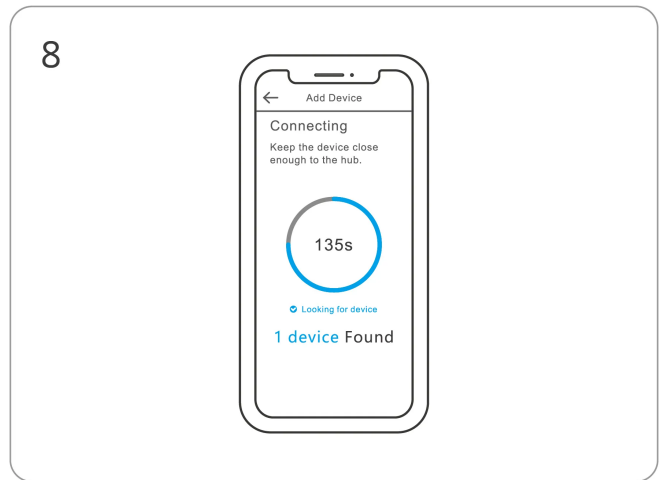
long press the any button on the device for 5 seconds



LED signal indicator will “flash slowly”



Select Zigbee gateway



Wait until the addition is done

## Factory Reset

Trigger conditions (any one condition met)

- Press and hold the device button for 5 seconds.
- Delete the device on eWeLink.

## Switching Wiring Modes

The device automatically enters the no neutral required mode or neutral required mode based on the actual wiring during its first power-on. These modes differ in load compatibility. If you need to switch wiring modes (e.g., from no neutral required to neutral required), follow these steps:

1. Reset the Device to Factory Settings using one of these methods:
  - Press and hold any button on the device for more than 5 seconds.
  - Delete the device in the eWeLink app.
2. Turn off the power, rewire as needed, and turn the power back on.
3. The signal indicator (blue) will blink three times, indicating a mode reset.
4. Finally, re-add the device to your gateway. It will automatically adjust to the new wiring mode.

## Ending

We look forward to your review of this new product and believe your followers will be eager as well. Thank you again for your participation and support!

If you have any questions or need further assistance, please feel free to contact us anytime.